

PRODUCT SHEET Fixed & Removable Posts

ROUNDED BALL-TOPPED, CHAMPS ELYSEES, DEMOISELLE

URBACO

AUTOMATIC BOLLARDS



Veyrier, Switzerland  
Removable Rounded Ball-Topped Posts.



Resistance		Weight	
Mostly depends on embedding		PAB: from 13 to 26 lbs PCE: from 22 to 37 lbs DML: from 48 to 59 lbs	
Material		Thickness (excl. male socket)	
PAB: Ductile cast iron and Steel PCE: Ductile cast iron and Steel DML: Grey cast iron		PAB: 0.11 in PCE: solid + tubing 0.11 in DML: solid	

DESCRIPTION

The rounded ball-topped post, classic, timeless, elegant and discreet.

The Champs Elysées post, a great elegant classic.

The Demoiselle post, uniting a classic silhouette and a modern style.

**Removable posts** coupled with their Fixator® (an Urbaco patent) are removable without any special or additional tool: a key is all it takes. A locking system will deter non-authorized would-be users to open the access.

A turn of the key is enough to unlock the bollard and remove it from its socket. The Fixator cover is placed instead, clearing the way for free access.

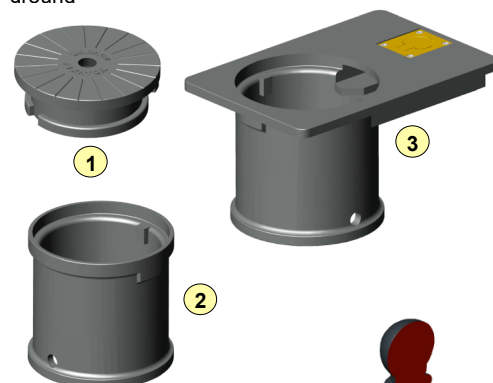
Access control in 3 steps:

1. unlock
2. turn and
3. lift

This is a simple and effective solution to restrict access to any area with a small budget.

The Fixator® is embedded in concrete at finished grade level. Impact resistance therefore mostly depends on the quality of the anchoring of Fixator® in the ground.

**Fixed posts** are fitted with a socket or extra length of tubing to facilitate embedding in the ground



Caption:  
1- Fixator® cover  
2- Fixator® without lock  
3- Fixator® with lock

SURFACE

Thermosetting polyester powder coating, matt finish.

Standard color: Charcoal grey RAL 7016

Zinc primer to increase resistance to oxidation as well as to reinforce finishing coating adherence.

OPTIONS

- Colors: any RAL shade
- Fixed eyelets and chains

For removable posts:

- Fixator® (▲ 11, ▲ 14, ¾ circle, special 'A' type imprint)
- Fixator® without lock
- Fixator® cover
- Key(s)

FIXED POSTS

REMOVABLE POSTS

		ROUNDED BALL-TOP (A)	CHAMPS ELYSÉES (B)	DEMOISELLE (C)	ROUNDED BALL-TOP (D)	CHAMPS ELYSÉES (E)	DEMOISELLE (F)
2.36	H29.5	---	PSPCEA75	---	---	PAPCEA75	---
2.36	H35.4	---	PSPCEA90	---	---	PAPCEA90	---
2.36	H43.3	---	PSPCEAA1	---	---	PAPCEAA1	---
2.36	H47.2	---	PSPCEAA2	---	---	---	---
2.36	H31.4	PSPAB80	---	---	PAPAB80	---	---
2.36	H35.4	PSPAB90	---	---	PAPAB90	---	---
2.36	H43.3	PSPABA1	---	---	PAPABA1	---	---
2.36	H35.4	---	---	PSDMLC90F	---	---	PADMLC90F

(Dimensions in inches)

Urbaco Americas – A CAME Company  
11345 NW 122nd Street | Medley, FL 33178  
Tel. 305-433-3307 | Fax 305-396-3331

e-mail: [info@urbaco-americas.com](mailto:info@urbaco-americas.com) | [www.urbaco-americas.com](http://www.urbaco-americas.com)

FIXED\_REMOVABLE\_POSTS