

PRODUCT SHEET Removable Bollards

Generation 6 – Diameters: 4.72-7.87-9.84 in



AUTOMATIC BOLLARDS



Removable bollard
Chateauf
Ø 4.71 H 21.6
Rounded top



ACROPOLE
(ACE)



ATHENA
(ATN)



CHATEAUNEUF
(CHP)



CYLINDER
(CLP)

Impact Resistance	Weight
Depends on embedding	from 42 to 115 lbs
Material	Average Thickness
Ductile Cast Iron (G) Grey Cast Iron (F)	0.43 in

DESCRIPTION

Generation 6 removable bollards are available in 3 different diameters (Ø 4.72, Ø 7.87 and Ø 9.84 in); 2 heights (21.6 and 29.5 in) A reflective tape band may be added (optional). The Chateauf model is also available with a rounded top (Ø 4.72 and 3 heights: 21.6, 29.5 and 37.4 in above ground (CHT)). These bollards coupled with their Fixator® (an Urbaco patent) are removable without any special or additional tool: a key is all they need.

A locking system will deter non-authorized would-be users to open the access. A turn of the key is enough to unlock the bollard and remove it from its socket. The Fixator® cover is placed instead, clearing the way for free access. Access control in 3 steps: unlock, turn, and lift. This is a simple and effective solution to restrict access to any area with a small budget.

The Fixator® is embedded in concrete at finished grade level. Impact resistance depends therefore on the quality of concrete in which the Fixator® is anchored to the ground.

SURFACE FINISH

Thermosetting polyester powder coating, matt finish.

Standard color: Charcoal grey RAL 7016

Option:

Zinc primer to increase resistance to oxidation as well as to reinforce finishing coat adherence.

OPTIONS

- Colors: other RAL shade
- Fixed rings and chains
- Reflective tape band
- Fixator® (Triangle 11, Triangle 14, ¼ circle or special A imprints)
- Fixator® without lock
- Cover for Fixator®
- Key(s)

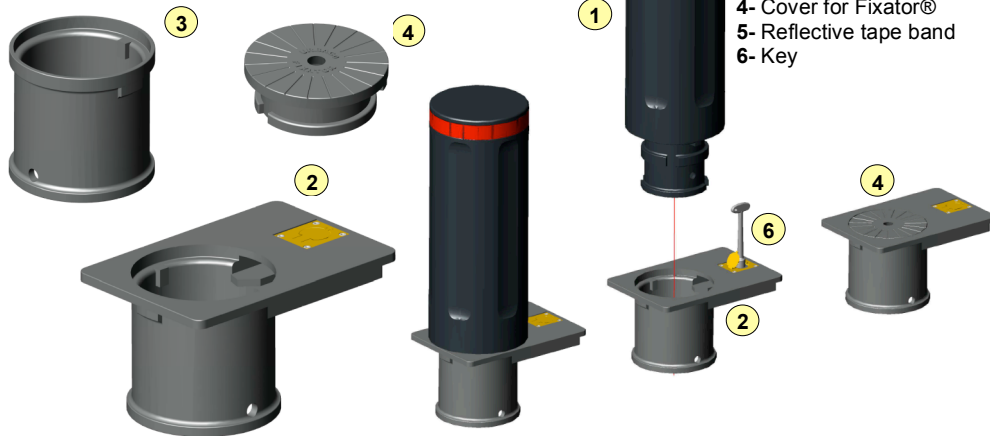


Diagram:
1- Removable bollard
2- Fixator® with lock
3- Fixator® without lock
4- Cover for Fixator®
5- Reflective tape band
6- Key

GENERATION 6 REMOVABLE BOLLARD MODELS

	ACROPOLE (ACE)	ATHENA (ATN)	CHATEAUNEUF (CHP)	CHATEAUNEUF (CHT)	CYLINDER (CLP)
Ø4.72/H19.7	BAACED50G	BAATND50G	BACHPD50G BACHPD50F	---	BACLPD50G
Ø4.72/H 21.6	---	---	---	BACHTD55G BACHTD55F	---
Ø4.72/H29.5	BAACED75G	BAATND75G	BACHPD75G	BACHTD75G BACHTD75F	BACLPD75G
Ø4.72/H37.4	---	---	---	BACHTD95G BACHTD95F	---
Ø7.87/H19.7	BAACEE50G	BAATNE50G	BACHPE50G	---	BACLPE50G
Ø9.84/H19.7	BAACEF50G	BAATNF50G	BACHPF50G	---	BACLPF50G

Grey Cast Iron (Flake Graphite) (GL): F
Grey cast irons contain graphite flakes.

- Their qualities are:
- Easy machining
 - Tendency to muffle mechanical vibrations
 - Good water resistance
 - Good quality castings

Ductile Spheroidal Graphite Cast Iron (GS): G
Small amounts of magnesium added to these alloys slow down the growth of graphite precipitates by bonding to the edges of the graphite planes. The properties are similar to malleable iron but parts can be cast with larger sections. Its qualities are slightly similar to steel. Additional qualities are:

- Very high resistance
- Ductility (the property of material to endure plastic distortion without breaking)
- Elasticity