

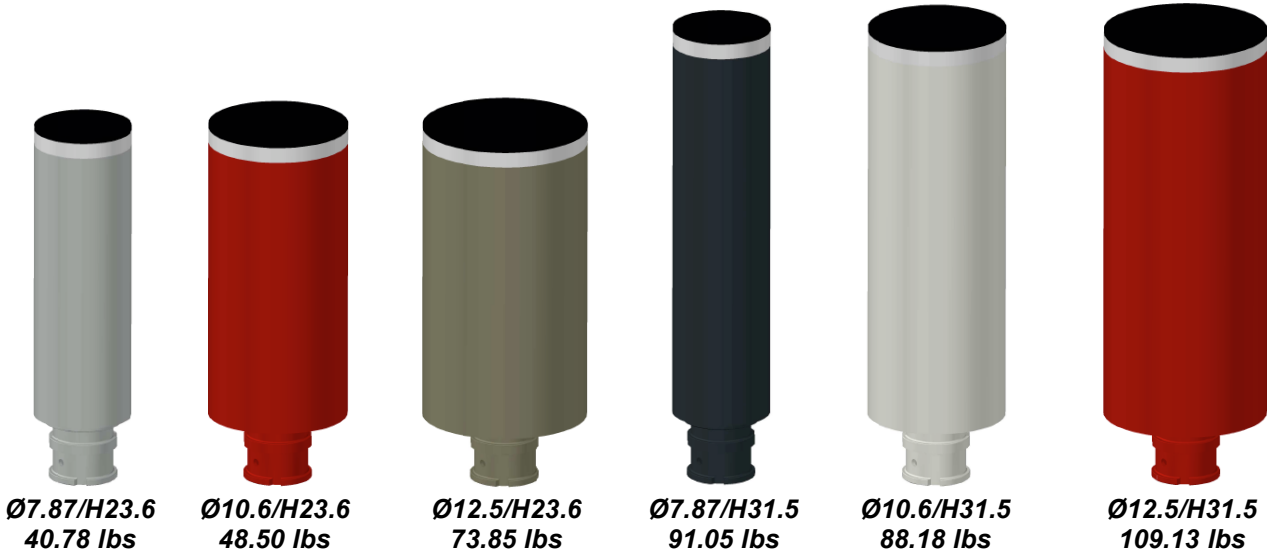
PRODUCT SHEET Removable Bollards / LUXOR Range

CAME GROUP



AUTOMATIC BOLLARDS

Ø7.87-10.6-12.5 in H23.6-31.5 in



DESCRIPTION

Removable Luxor bollards are the obvious compromise between permanent fixed and retractable Luxor bollards. They are the same sizes and diameters as their fixed and retractable counterparts.

The surface finish is in complete harmony with Luxor fixed and retractable bollards too: black cap, white reflective band, RAL coating and varnish.

Available in three diameters (7.87, 10.6 and 12.5 in) and two sizes (23.6 and 31.5 in), they consist of steel tubing 0.15 to 0.23 in thick depending on model.

The cast iron socket base for Fixator® Urbaco is welded underneath the bollard. This is how a fixed bollard becomes removable. Bollards in Ø7.87 can be inserted in a Fixator® with or without lock, whereas bollards in diameters Ø10.6 and Ø12.5 can only be inserted in a no-lock Fixator®.

SURFACE FINISH

- ✔ Zinc primer to increase resistance to oxidation as well as to reinforce finishing coating adherence
- ✔ Thermosetting polyester powder coating, 2 coating colors: black for the cap, and any RAL shade for the bollard head
- ✔ **Standard colors: RAL 3002 and RAL 7016**
- ✔ Varnish finish

OPTIONS

- ✔ Colors: any RAL shade available
- ✔ Fixator® with lock – **except Ø10.6 and Ø12.5** (T11, T14, DL or special A key shape)
- ✔ Fixator® without lock
- ✔ Ficator® cover
- ✔ Key(s)

REMOVABLE LUXOR MODELS AVAILABLE

	Ø7.87	Ø10.6	Ø12.5
H23.6	BALUXE60	BALUXF60	BALUXG60
H31.5	BALUXE80	BALUXF80	BALUXG80
THICKNESS	0.15 in	0.23 in	0.23 in

Urbaco Americas – A CAME Company
 11345 NW 122nd Street | Medley, FL 33178
 Tel. 305-433-3307 | Fax 305-396-3331
 e-mail : info@urbaco-americas.com
www.urbaco-americas.com

Impact Resistance

Depends on embedding

Weight

from 40.78 lbs to 109.13 lbs

Material

Steel

Thickness (bollard head)

from 0.15 to 0.23 in

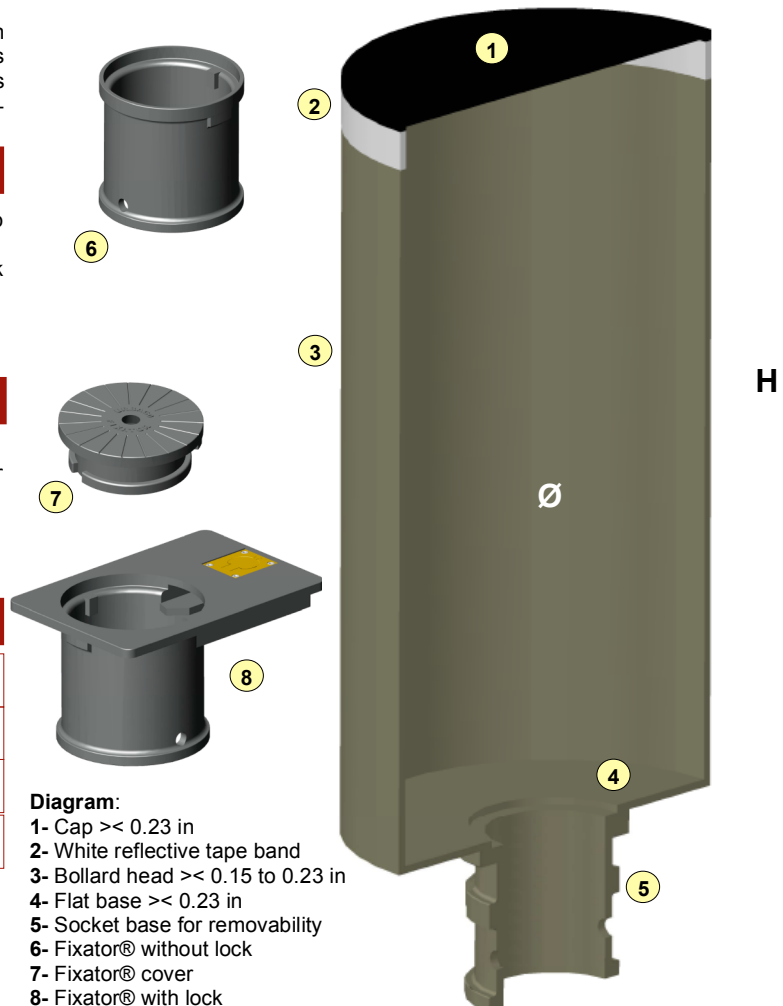


Diagram:

- 1- Cap >> 0.23 in
- 2- White reflective tape band
- 3- Bollard head >> 0.15 to 0.23 in
- 4- Flat base >> 0.23 in
- 5- Socket base for removability
- 6- Fixator® without lock
- 7- Fixator® cover
- 8- Fixator® with lock

Intellectual Property of URBACO – Not to copy – Specifications are not contractual – Changes likely to be made without any notice – Most of the models shown are registered.