

# PRODUCT SHEET – OVALIE Bollards

**URBACO**

Permanent Fixed / Removable / Mechanical / Automatic

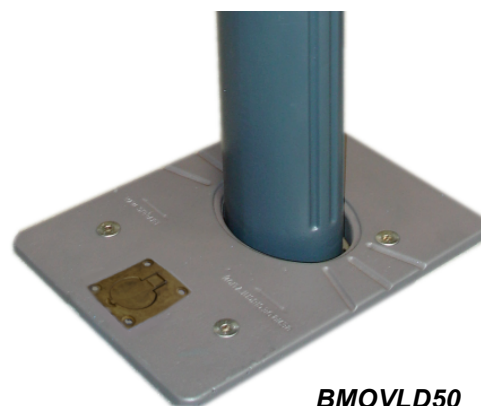
AUTOMATIC BOLLARDS



Impact Resistance	Average Thickness
Depending on embedding	0.43 in



**BPOVLD50**



**BMOVLD50**

## RETRACTABLE MODELS

The whole set is composed of structural parts, all cast in one piece, the patented Monobloc™ URBACO which ensures everlasting parallelism:

- Monobloc™ casing, thickness up to 0.94 in, with sliding rails and mechanical support cast in the very same block. Pneumatic cylinder (piston) with stainless stem and upper and lower buffers integrated (automatic bollards) or gas piston with stainless stem (mechanical bollards).
- Monobloc™ cover

- Bollard head, average thickness 0.43 in, cast in one piece including its own sliding carriage. Quality of manufacturing without parts likely to wear and tear is the guaranty of durability and very low maintenance costs.
- The lost casing (optional) in galvanized steel for easy installation and mounting;
- Retractable Ovalie bollards are available in nodular cast iron, height 19.68 in with (white) Class II reflective tape band.

## OPTIONS

- Colors: any RAL shade,
- For Automatic Bollards: negative security(fail safe), heating, anti-return valve, lost casing
- For BEMs: key, lost casing
- For Removable Bollards: Fixator® (T11, T14, DL, special A), Fixator® without lock, cover, key
- For Fixed Bollards: fixed eyelets and chains

## REMOVABLE MODEL

These bollards coupled with their Fixator® (an URBACO patent) are removable without any special or additional tool: a key is all they need. A locking system will deter non-authorized would-be users to open the access.

A turn of the key is enough to unlock the bollard and remove it from its socket. The Fixator cover is placed instead, clearing the way for free access.

Access control in 3 steps: unlock, turn, and lift. This is a simple and effective solution to restrict access to any area with a small budget.

The Fixator® is embedded flush with surfaced ground level. Impact resistance thus depends on quality of anchorage.

Removable Ovalie bollards are available in lamellar cast iron, 19.68 and 29.52 in, no grooving for reflective tape band.

## SURFACE FINISH

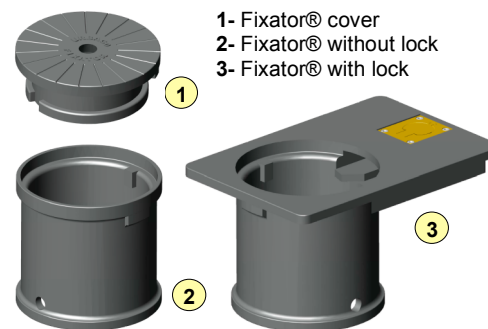
- Zinc primer to increase resistance to oxidation as well as to reinforce finishing coating adherence.

- **Thermosetting polyester powder coating, standard color: charcoal grey RAL7016 fine structured.**

## PERMANENT FIXED MODEL

This bollard is to be embedded in concrete. Impact resistance for this product thus depends on quality of anchorage. An extension is possible, optional, depending on soil nature.

Fixed Ovalie bollards are available in nodular cast iron (ductile), 19.68 in high, with grooving for reflective tape band and in lamellar cast iron, 19.68 and 29.52 in, without grooving.



- 1- Fixator® cover
- 2- Fixator® without lock
- 3- Fixator® with lock

## OVALIE BOLLARD MODELS AVAILABLE

	FIXED	REMOVABLE	MECHANICAL	AUTOMATIC
4.72*/H19.68	BSOVLD50F BSOVLD50G	BAOVLD50F	BMOVLD50	BPOVLD50
WEIGHT	30 lbs	30 lbs	105 lbs	112 lbs
4.72*/H29.52	BSOVLD75F	BAOVLD75F	Not available	Not available
WEIGHT	48 lbs	48 lbs	141 lbs	149 lbs

Urbaco Americas – A CAME Company  
11345 NW 122nd Street | Medley, FL 33178  
Tel. 305-433-3307 | Fax 305-396-3331

\*: 4.5/3.22 in real

e-mail: [info@urbaco-americas.com](mailto:info@urbaco-americas.com) | [www.urbaco-americas.com](http://www.urbaco-americas.com)



**BAOVLD50F**

**BSOVLD50G**

OVALIE\_BOLLARDS