

# PRODUCT SHEET, Fixed and Removable Bollards and Posts

CAME GROUP



AUTOMATIC BOLLARDS

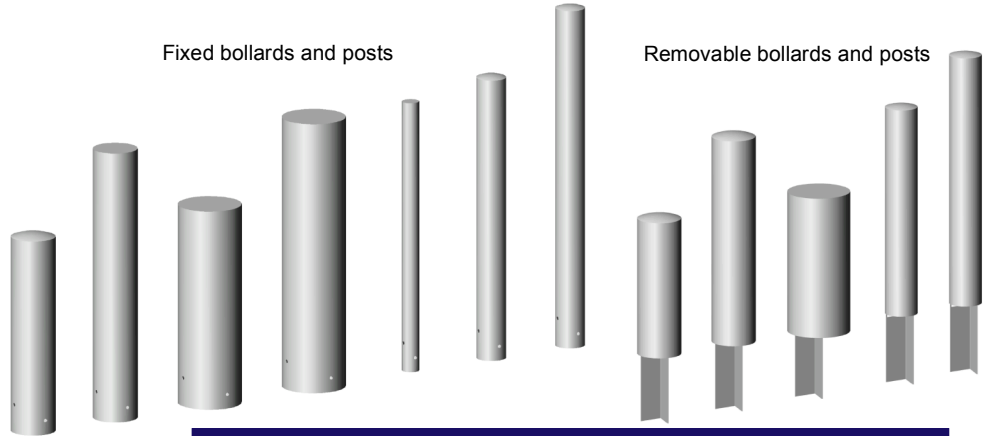
## VENDÔME



Removable posts 4.4 H29.5

Fixed bollards and posts

Removable bollards and posts



| Impact Resistance                          |  | Weight  |  |
|--|--|---|--|
| Depends on embedding (no guaranty applies) |  | From 46 to 90 lbs (BA)<br>From 6 to 13 lbs (PA, BS, PS) |  |
| Material                                   |  | Wall thickness  |  |
| Stainless Steel 316L                       |  | 2mm   |  |

### DESCRIPTION

Made of polished stainless steel, the Vendôme model is the ideal bollard for modern contemporary architecture sites. It integrates perfectly in prestige surroundings of historical nature as well as architectural projects. It ideally matches areas covered in marble or granite and also fits well in interior placements.

### OPERATION

For removable posts and bollards:

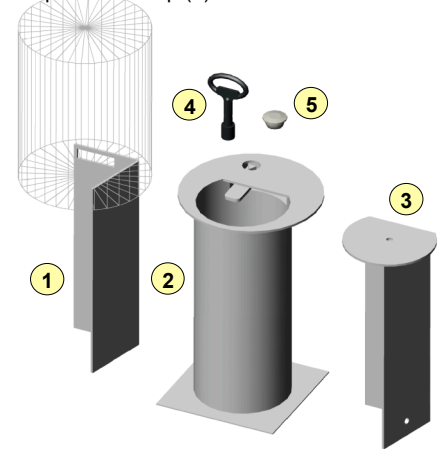
A turn of the key is enough to unlock the bollard and remove it from its socket. The Fixator cover is placed instead, clearing the way for free access. Access control in 3 steps: unlock, turn, and lift.

This is a simple and effective solution to restrict access to any area with a small budget.

### COMPONENTS

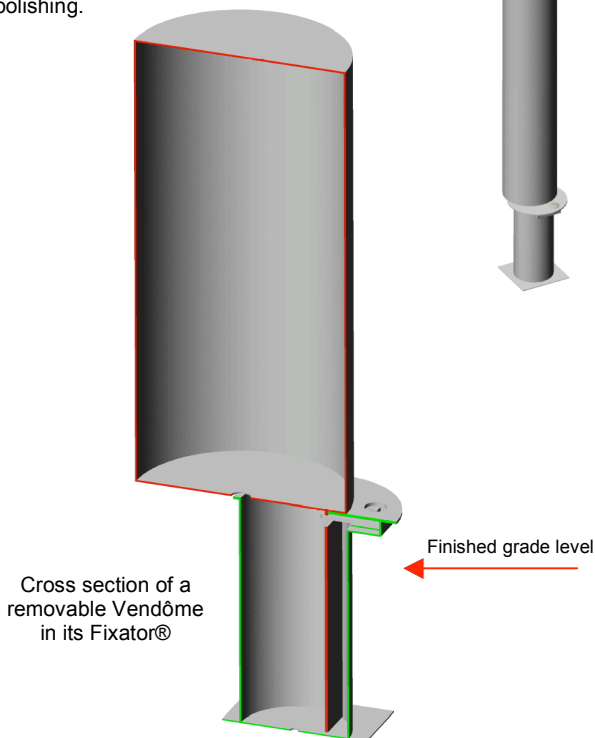
For removable posts and bollards:

- Male socket (1)
- Fixator® with lock (2)
- Cover (3)
- Key with 11 mm ▲ imprint (4)
- Lock protection cap (5)



### SURFACE FINISH

316L stainless steel + Passivation (for increased resistance to oxidation) + PG320 polishing.



|  | REMOVABLE MODELS |       | FIXED MODELS |       |
|--|------------------|-------|--------------|-------|
|  | BOLLARDS         | POSTS | BOLLARDS     | POSTS |

|           | REMOVABLE MODELS |            | FIXED MODELS |             |
|-----------|------------------|------------|--------------|-------------|
|           | BOLLARDS         | POSTS      | BOLLARDS     | POSTS       |
| 2.3/H29.5 | ---              | ---        | ---          | PSVDMA75 ** |
| 4.0/H29.5 | ---              | ---        | ---          | PSVDMC75 *  |
| 4.0/H35.4 | ---              | ---        | ---          | PSVDMC90 *  |
| 4.4/H29.5 | ---              | PAVDMD75 * | ---          | ---         |
| 4.4/H35.4 | ---              | PAVDMD90 * | ---          | ---         |
| 6.0/H19.6 | BAVDMD50I *      | ---        | BSVDMD50I *  | ---         |
| 6.0/H29.5 | BAVDMD75I *      | ---        | BSVDMD75I ** | ---         |
| 8.6/H19.6 | BAVDME50I **     | ---        | BSVDME50I ** | ---         |
| 8.6/H29.5 | ---              | ---        | BSVDME75I ** | ---         |

\*: Rounded top // \*\*: Flat top

Urbaco Americas – A CAME Company  
 11345 NW 122nd Street | Medley, FL 33178  
 Tel. 305-433-3307 | Fax 305-396-3331  
 e-mail: [info@urbaco-americas.com](mailto:info@urbaco-americas.com)  
[www.urbaco-americas.com](http://www.urbaco-americas.com)

VENDÔME

Intellectual Property of URBACO – Not to copy – Specifications are not contractual – Changes likely to be made without any notice – Most of the models shown are registered.