

PRODUCT SHEET – Position Lights, Wall-Mount & Post-Mount

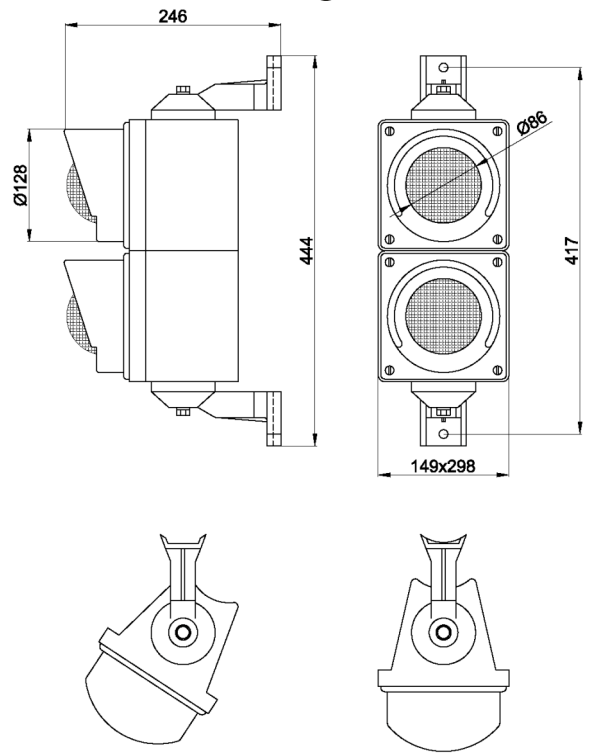
Article Codes: CPF1RO, CPF2RO and CMF1RO



BORNES AUTOMATIQUES



1



Red / Amber Position Light Specifications (light only)

| Total Height | Axes Height | Weight |
|---------------|--------------|------------------|
| 17.4 in | 16.4 in | 3.3 lbs |
| Material | Color | Protection Index |
| Plastic | Black | IP 55 |
| Lens Diameter | Power Supply | Consumption |
| 3.34 in | 24V AC | 200 mAmp / light |

Post Specifications (post only)

| Height | Diameter | Weight |
|-----------------|--------------------------|----------------------|
| 54.92 in | 2.99 in | 19.8 lbs (post only) |
| Material | Color | Fixing |
| Steel > 0.11 in | RAL 7016 (Charcoal Grey) | 4 points 0.55 in |



2

3

DESCRIPTION

Wall-mount double lights are used on controlled access locations to visualise bollard status and position. Position lights are available with two separate colours: red and amber. Their casings swivel on their axes and can be adjusted 180° around. Optics consist of high luminosity LEDs in compliance with NFP 99-200 and EN 12368 standards. Transparent lenses in polycarbonate, unbreakable, mixed type: Fresnel + cobweb. The position light may be fixed directly on any stand, arm or jib. 3 models available: position light alone, wall-mount (1), post with one position light R/A (2) and post with 2 position lights R/A (3). The post version is pre-cabled for quick connection. The cables are concealed in the post tube and come out from its base (length: ± 3 m). The post is coated in RAL 7016 as a standard. Other RAL shades optional.

ARTICLE CODES

| WALL-MOUNT | ONE LIGHT, ONE POST | TWO LIGHTS, ONE POST |
|------------|---------------------|----------------------|
| CMF1RO | CPF1RO | CPF2RO |

Urbaco Americas – A CAME Company
 11345 NW 122nd Street | Medley, FL 33178
 Tel. 305-433-3307 | Fax 305-396-3331

Intellectual Property of URBACO – Not to copy – Specifications are not contractual – Changes likely to be made without any notice – Most of the models shown are registered.